

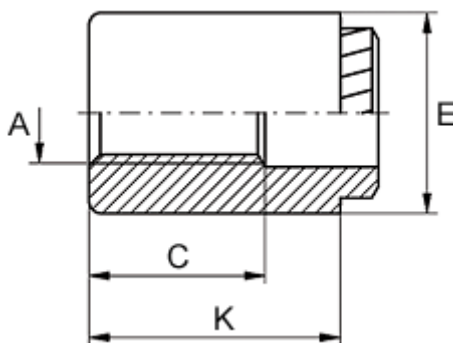
# Data Sheet



Article number: 12513600020100  
Description: KLEE-coil 513 600 020.100  
M2 Hardened, zinc-pl.

## Measures

---



|                        |       |
|------------------------|-------|
| Female thread A        | = M2  |
| Height K               | = 13  |
| Hole diameter +0.1     | = 3.7 |
| Min distance to edge   | = 2.2 |
| Min material thickness | = 1.5 |
| Outer diameter E       | = 6   |
| Thread length          | = 9   |